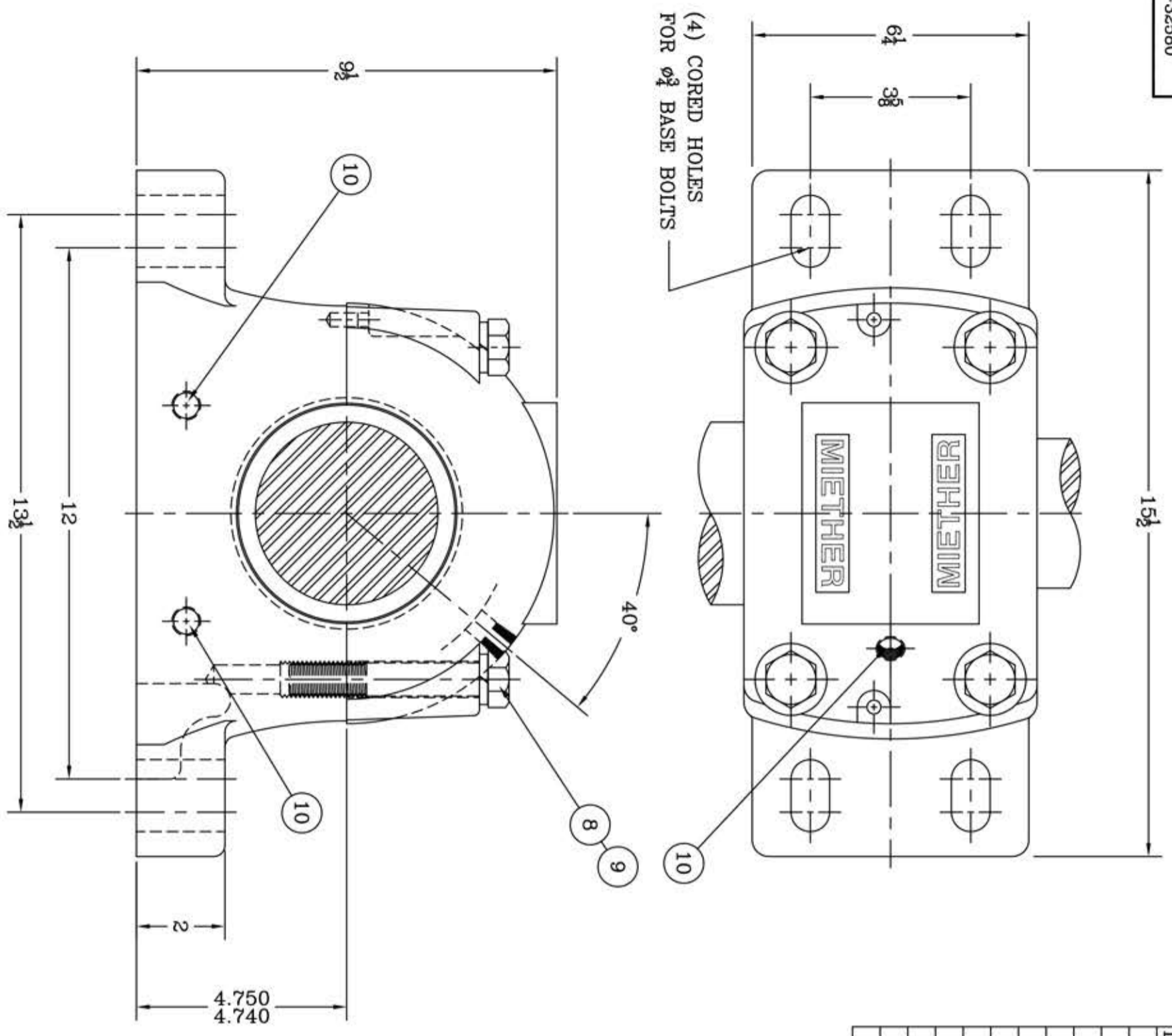
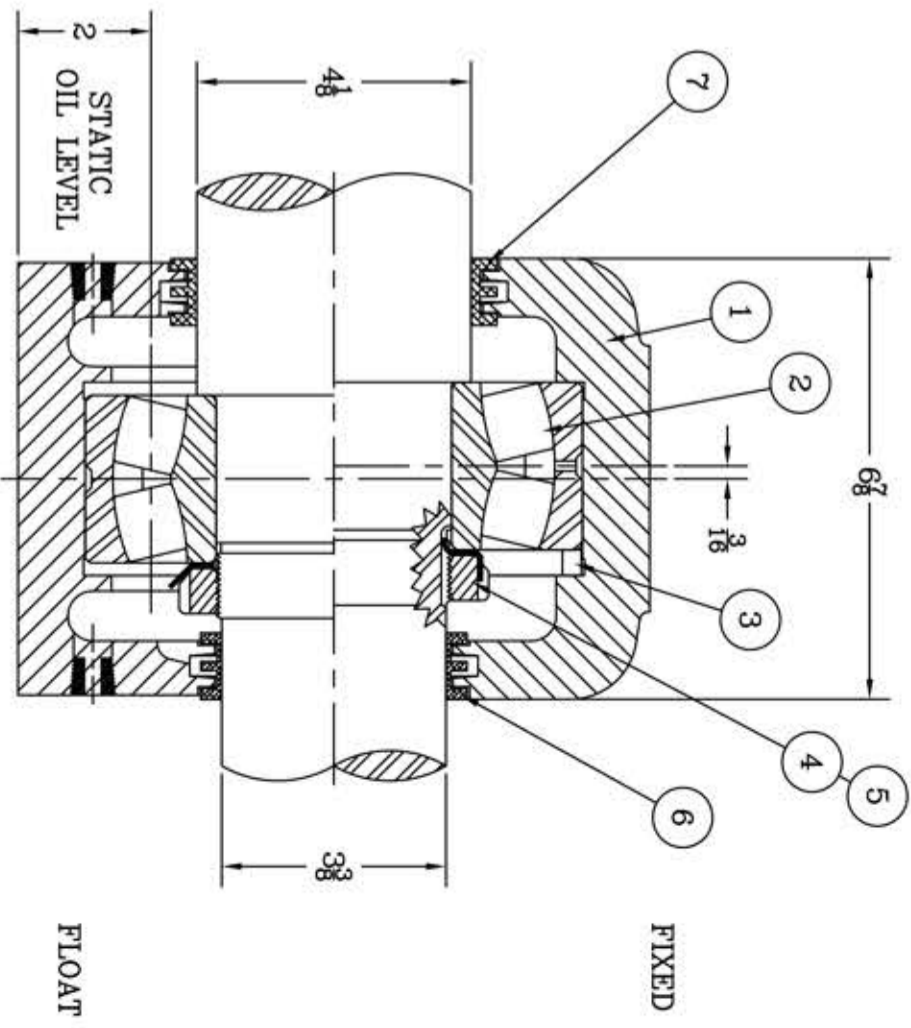


This drawing is the sole property of Miether Bearing Products and contains confidential and proprietary information. It is being provided to you for your use and may not be disclosed to any third party or used for any other purpose without Miether's prior written consent. The [materials] must be returned to the Company upon its demand. Your acceptance of these materials constitutes your acceptance of the foregoing terms.

C-32580



| ITEM | DESCRIPTION | DETAIL | REQUIRED |
|------|---------------------------|----------------------|----------|
| 1 | HOUSING SDAF 318 | C-20369-R | 1 1 |
| 2 | SPHERICAL ROLLER BEARING | 22318 W33 | 1 1 |
| 3 | STABILIZING RING SR 21-18 | A-11792 | 1 0 |
| 4 | LOCKNUT AN-18 | B-10783 | 1 1 |
| 5 | LOCKWASHER W-18 | ~~~~~ | 1 1 |
| 6 | TRIPLE SEAL RING LER-191 | A-11791 | 1 1 |
| 7 | TRIPLE SEAL RING LER-112 | A-11796 | 1 1 |
| 8 | CAP BOLT HEX HEAD | 3-10 NC x 4 1/2 LONG | 4 4 |
| 9 | LOCKWASHER | 3 SPLIT MED. | 4 4 |
| 10 | PIPE PLUG | 3-18 NPT | 5 5 |
| 11 | | | |



REVISIONS

| SYMBOL | DESCRIPTION | DATE |
|--------|-------------|------|
| C | | 16 |
| D | | 32 |
| E | | 63 |
| F | | 125 |
| G | | 250 |
| J | | 500 |
| K | | 1000 |

TOLERANCE: UNLESS OTHERWISE SPECIFIED
 FRACTIONS $\pm 1/32$ " ANGLES $\pm 0^\circ 30'$
 DECIMALS $\pm .005$ " WELD $\pm 1/16$ "
 CASTING $\pm 1/16$ "

A.I.S.I. STANDARD FINISHES

AN ALCO INDUSTRIES COMPANY
 BEARING PRODUCTS
 ODESSA, TX USA

SDAF 22318 04-02 x 03-06
 ASSEMBLY DRAWING

SCALE HALF
 DRAWN KAB
 DATE 2/26/08
 CHK:

ASSEMBLY NO.
 DRAWING NO.
 C-32580